

# Application Note of Datalogger

## (Track-It Datalogger & UV Probe)



### Description

This product helps collect and analyzed analog data of UV Sensor Module produced by Genicom.

The Track-It™ DC Voltage and Current Data Loggers are two channel battery powered stand alone compact data loggers that record up to 32,000 or 64,000(Depends on setup) samples each of DC Voltage or Current data.

The unit is easily configured using the included Track-It™ Software.

Simply plug the logger into an open USB port on your PC and the software automatically identifies the logger.

The sample storage rate can be set from 1 sample every 2 seconds to 1 sample every 24 hours.

### Applications

- UV power(intensity) checking.
- Collect of UV power(intensity) analog data
- Analazed of UV power(intensity) analog data
- UV power(intensity) detection recorder

### Components



Fig1. DataLogger



Fig2. External Input 0~5V Module



Fig3. External Input 0~20mA Module

### Specifications

|                |   |
|----------------|---|
| Record         | Sample Rates: User configured 1 every 2 seconds up to 1 every 24 hours<br>No. of Samples: 32,000 or 64,000 (depends on setup)   |
| Record Trigger | Two independent triggers. Multiple trigger modes:<br>Instantaneous, button control, on alarm, time and date (start and stop), day of week                                       |
| Record Mode    | Fill to end of memory, cyclic, number of samples, time duration   |
| Display        | 4 digit LCD (Non display versions available with LED only)<br>User programmable: Indication of data value, eng units, alarms, record mode, battery condition, time/date, memory |
| LED            | User programmable: Indication of alarms, recording, triggered   |
| Button         | User programmable: View display, record on/off, reset alarms  |
| Communication  | Direct USB connection   |
| Battery        | Coin Cell Option: Battery: Lithium CR2032 Life: 1 year @ 1 minute sample rate<br>Hi Energy Option: Battery: EF651625 Life: 3 years @ 1 minute sample rate                       |
| Rseolution     | ±0.1mV  |
| Dimensions     | 103.2mm(L )x 16.7mm(H) x 25.4mm(W)  |

### Absolute Maximum Ratings

| Parameter             | Symbol          | Value |      |      | Unit | Remark |
|-----------------------|-----------------|-------|------|------|------|--------|
|                       |                 | Min.  | Typ. | Max. |      |        |
| Storage Temperature   | T <sub>st</sub> | -20   |      | 85   | °C   |        |
| Operating Temperature | T <sub>op</sub> | -20   |      | 85   | °C   |        |



Fig 4. Each part functionality of Datalogger

External Voltage Module Wiring



Fig 5. External Input 0~5V Wiring diagram

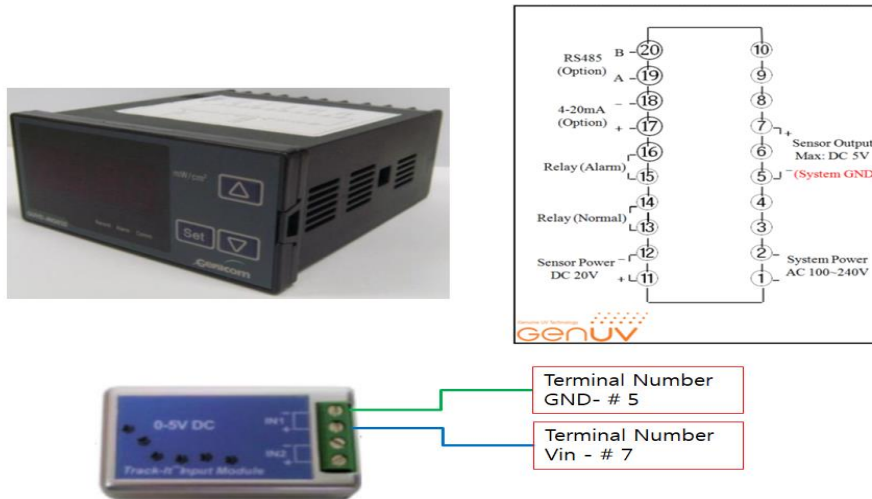


Fig 6. MG-02 0~5V Wiring diagram

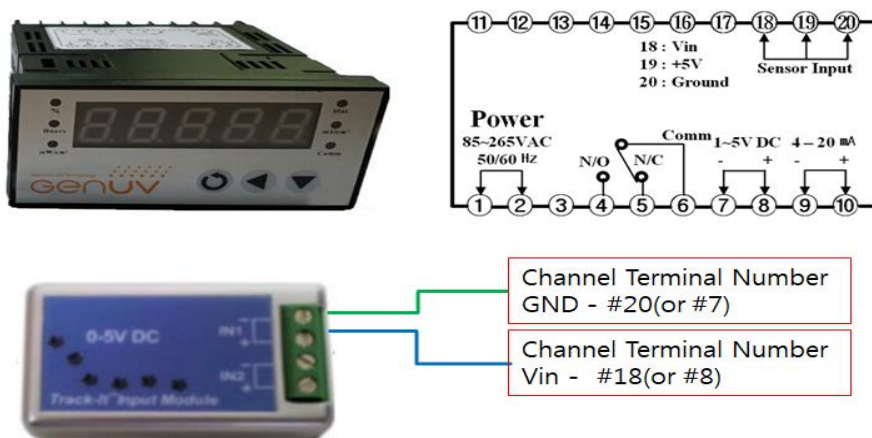


Fig 7. MG-05 0~5V Wiring diagram

### External Current Module Wiring

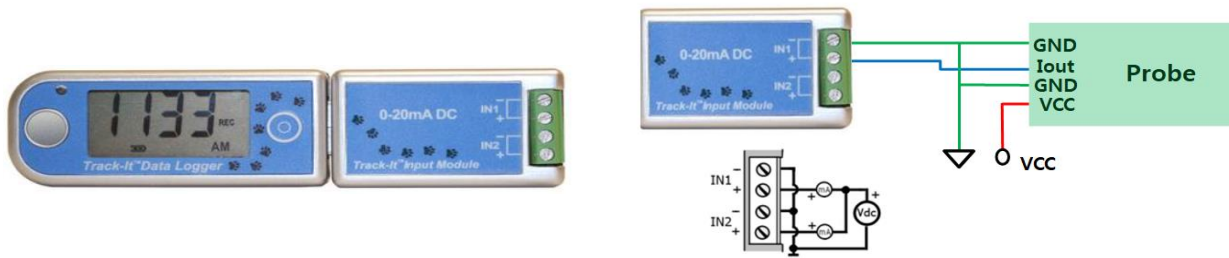


Fig 8. External Input 0~20mA Wiring diagram

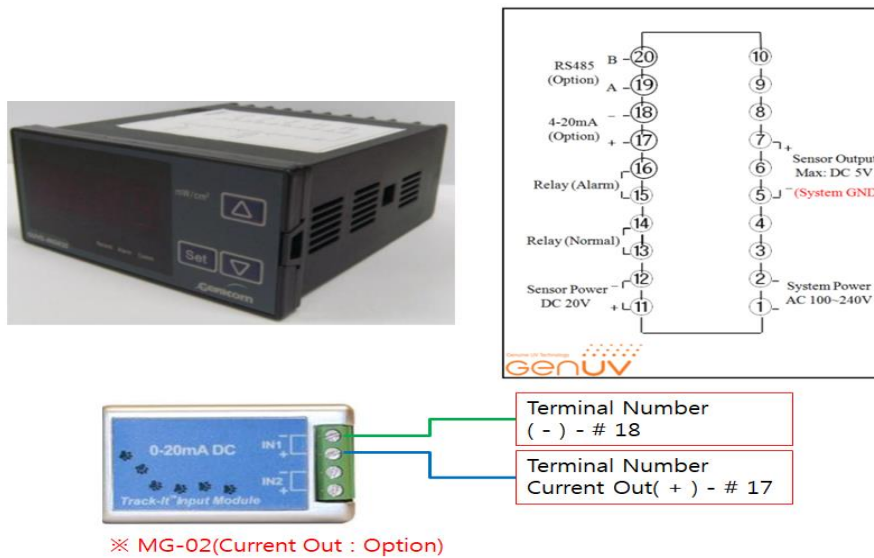


Fig 9. MG-02 0~20mA Wiring diagram

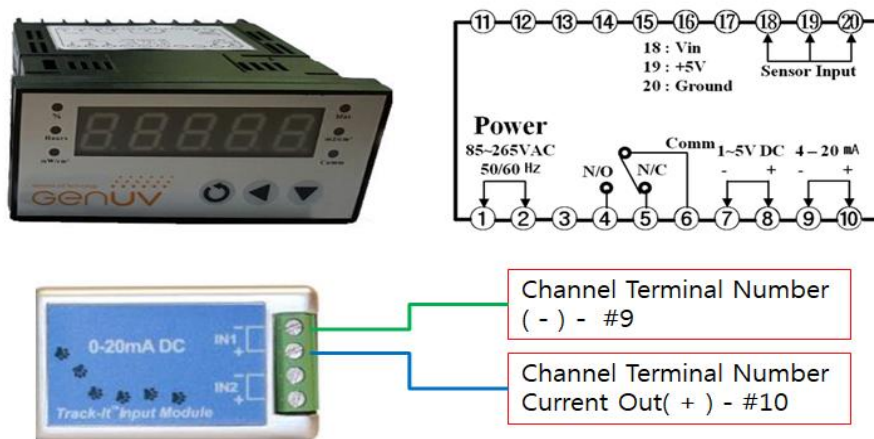


Fig 10. MG-05 0~20mA Wiring diagram

※ Push Button:

The button function is programmable using Track-It TM PC Software.

Short press (0 - 1 second) will activate the LCD view. Successive short presses will rotate the views as programmed.

Press and hold - (1 - 2 seconds...LED blinks once) - Releasing the button during this interval (if enabled by program) toggles record mode.

If the unit is currently recording it will stop the recording. If the unit is currently NOT recording it will start recording.

Note: Other events may impact the record mode if they have been set to trigger the recording.